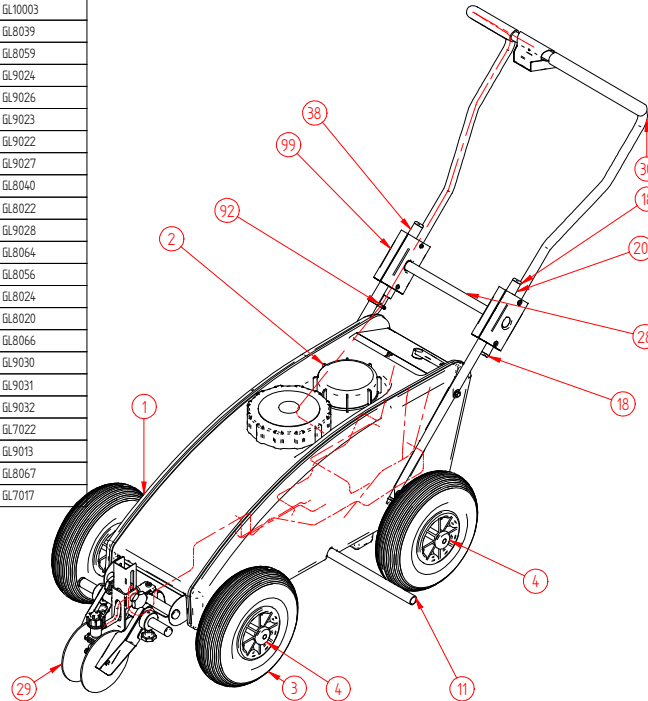


Item Number	Title	Quantity	Comments
70	STRAINER MOUNTING BRACKET	1	GL8059
72	FILTER IN LINE PUMP 203350-0079A	1	GL7004
73	TANK FITTING-MARKING LIQUID C/W WASHER AND NUT	1	GL8015
74	LOCK NUT M20 x 15 - 126 5020 613 16	1	GL8026
75	O Ring 20 x 2.5 (TANK FITTING)	1	GL8068
79	LABEL - TOP PLATE	1	GL10003
82	HOSETAIL STRAIGHT 1/4" (33A143B)	1	GL8039
84	STRAINER SUPPORT	1	GL8059
86	ELECTRICAL CONNECTOR BBM4	1	GL9024
87	ELECTRICAL CONNECTOR BFOF	2	GL9026
88	ELECTRICAL CONNECTOR RBF4	2	GL9023
89	ELECTRICAL CONNECTOR RBM4	2	GL9022
90	ELECTRICAL CONNECTOR RFOF	2	GL9027
92	CABLE STRAP - 097 2200 699 02	1	GL8040
93	M5 WASHER	4	GL8022
94	ELECTRICAL CONNECTOR RDF25	2	GL9028
95	M6 x 19 x 16 FLAT WASHER	11	GL8064
98	TUBING POLY 8MM - BLUE (570mm)	1	GL8056
99	HANDLE CLAMP C/W 2 OFF M5X45 PAN SLOT BOLTS	2	GL8024
100	M6 NYLOCK NUT - FRONT MARKER/HANDLE	2	GL8020
101	HANDLE THREADED ROD	1	GL8066
103	LUG 2.5MM WIRE 6MM HOLE (BR6)	1	GL9030
104	LUG 2.5MM WIRE 6MM HOLE (RR6)	1	GL9031
105	ELECTRICAL CONNECTOR YBF5	1	GL9032
106	SNAP ON 3/8 HOSE BARB (30FA38)	1	GL7022
107	CABTYRE BLACK 1MMx3 CORE (WIRING HARNESS)	1	GL9013
108	HOSE CLAMP 135 0105 599 02	1	GL8067
109	PUMP (7801-111)	1	GL7017



Item Number	Title	Quantity	Comments
1	TANK - GO LINE 30	1	SEE ASSEMBLY
2	FILLER CAP 4" - WATER BOTTLE	1	GL8005
3	WHEEL 300-4 4PR BMW FT210x4 PL 19mm PB RED	4	GL8003
4	STARLOCK FASTENER 19MM	4	GL8008
5	M6 WASHER	14	GL8007
7	FRONT AXLE TUBE	1	GL8001
8	REAR AXLE TUBE	1	GL8002
10	SADDLE WASHER 102 0200 599 01	8	GL8006
11	SIDE MARKER EXTENSION TUBE	1	GL8010
12	M6 x 30 HEX BOLT	8	GL8009
14	M6 x 12 PAN SLOT	20	GL8013
17	M20 FLAT AXLE WASHER	4	GL8016
18	TUBE PLUG LAMINEA 19MM 085019069903	5	GL8012
19	R CLIP	4	GL8017
20	PRIMARY HANDLE BAR TUBE	1	GL8018
25	HANDLE GRIP/PUSH LOCK 20MM (0.7)	1	GL8029
28	HANDLE CLAMP - HANDLE SPACER TUBE	1	GL8025
29	SPRAY HEAD GENERAL ASSY	1	SEE ASSEMBLY
30	HANDLE ISOLD WITH PART NO GL8029 HANDLE GRIP)	1	GL8023
32	3 WAY VALVE - PAINT / WATER (562363590)	1	GL8053
34	SWITCH ASSY	1	SEE ASSEMBLY
37	PUMP MOUNTING PLATE ASSY	1	GL7003
38	PRIMARY HANDLE BAR TUBE OP (HOLE)	1	GL8019
41	TANK DRAIN PLUG (10122C BLK)	1	GL8054
42	TUBING 8MM THICKWALL - CLEAR (2.25)	1	GL8063
43	BOTTOM COVER PLATE ASSEMBLY	1	GL8052
44	TUBING 8MM THICKWALL - CLEAR (2.25)	1	GL8063
45	TANK CAP 6" 8178000	1	GL8004
54	BACK PLATE ASSY	1	GL8051
55	HOSETAIL ELBOW (33EL143B)	6	GL8055
56	M5 x 30 HEX BOLT	4	GL8069
60	IML LABEL - TANK (SET OF 2) (NOT SOLD SEPERATLY)	1	GL10002
62	CARTON - ASSEMBLED - SA	1	GL10001
63	5 AMP SWITCH MODE POWER SUPPLY 12VDC (895-18-PA107)	1	GL9001
64	12V 18AH BATTERY (826-20-180)	1	GL9012

MATERIAL:	SEE DETAILED DRAWINGS
"V" TYPE:	N/A
B/A 90:	N/A
FINISH:	SEE DETAILED DRAWINGS
QUANTITY:	SEE DETAILED DRAWINGS

11	REVISION DESCRIPTION	DRAWN	CHECK	DATE
	ELECTRICAL CONNECTOR RDF25 - GL9028 ADDED	B.K.	B.K.	2009/06/11
	M6 x 19 x 16 FLAT WASHER ADDED - GL8064	B.K.	B.K.	2009/07/27
	PRV AND ASSOCIATED COMPONENTS ADDED	B.K.	B.K.	2009/09/14
	HANDLE CLAMP REVISED	K.V.	K.V.	2010/02/09
HANDLE CLAMPING ASSY REVISED	B.K.	B.K.	2010/07/02	
HANDLE CLAMPING ASSY REVISED	K.V.	K.V.	2012/07/11	

Go Line 30
marking systems

TITLE	CUSTOMER: DURA PAINTS	DATE	2008/07/17
<input type="checkbox"/> LASER <input type="checkbox"/> PUNCH <input type="checkbox"/> MANUAL	PROJECT: GO LINE 30 MARKING SYSTEM	SCALE	N.T.S.
	PART: GA		
	PROG: PROGRAM NAME: B578		
LASER DISK:	Drawing Number: B578	DRAWN	B.K.
CNC LOCATION:		CHECKED	
		APP'D	

TOLERANCE TO BE ±0.5 MM UNLESS OTHERWISE STATED